



LOCKBOX[®]





Installation, Programming and Registration Manual **V 1.2**

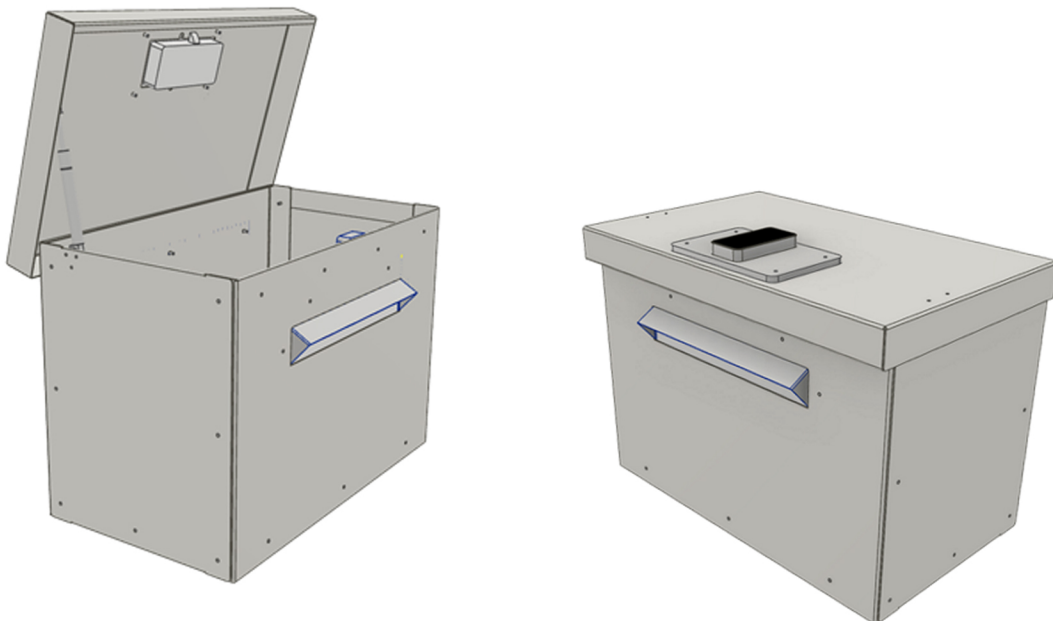
Important information! Read manual fully, follow each step of the instruction carefully. Keep this information for further reference.

WARNINGS

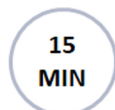
- Read and understand all instructions. Failure to follow all instructions may result in injury and/or damage.
- The warnings cautions, and instructions discussed in this manual cannot cover all possible conditions or situations that may occur. The user must always be aware of their environment and ensure that they use the product safely and responsibly.
- Do NOT modify the product in any way. Unauthorized modification may impair the function and/or safety of the product and may affect the life of the product.
- Check for damaged parts. Before using this product, carefully check that all parts are in good condition and that the product will operate properly and perform its intended function.
- Do NOT overload the product. (Wall Mounted Only)

CARE AND MAINTENANCE

- Avoid harsh, abrasive cleaners, and other corrosive chemicals.
- Replace only with good quality batteries and tighten loose nuts annually or as required.
- Use fastening devices suitable for the walls or floor in your home. For advice on suitable fastening devices, contact your local specialized dealer. FOR ANY QUESTIONS OR SUPPORT PLEASE CONTACT: 727 599-0690 or Email: support@qrlockbox.com



Suggested people



Average assembly time



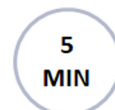
Assembly steps



Easy programming



Long battery life



Registration time

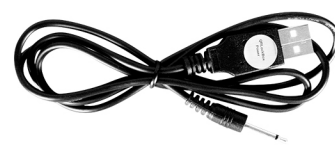
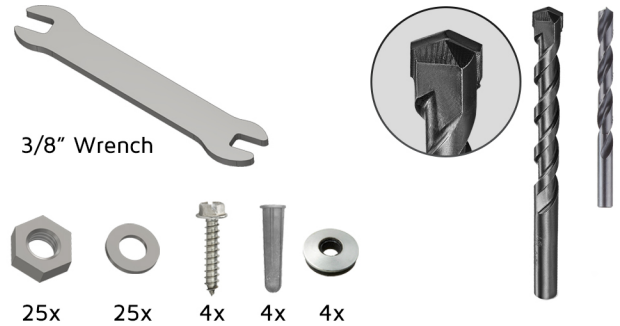
BOX INVENTORY

1 Parts Box:

25pcs Stainless Washer & Nuts
 1pc Wrench
 1pc RFID Master Card
 1pc USB External Power Cable
 4pcs Stainless 1 1/2" Hex Bolts
 4pcs Masonry Plastic Anchor
 4pcs Rubber Washer
 1pc 5/16" Drill Bit (Masonry)
 1pc 3/16" Drill Bit (General Purpose)
 1pc Sign and Arrow Stickers
 1pc Manual

- 2 Bottom Panel
- 3 Back Panel
- 4 Front Panel
- 5 Right Side Panel
- 6 Left Side Panel (with gas-spring)
- 7 Top Panel with Keypad

PARTS BOX

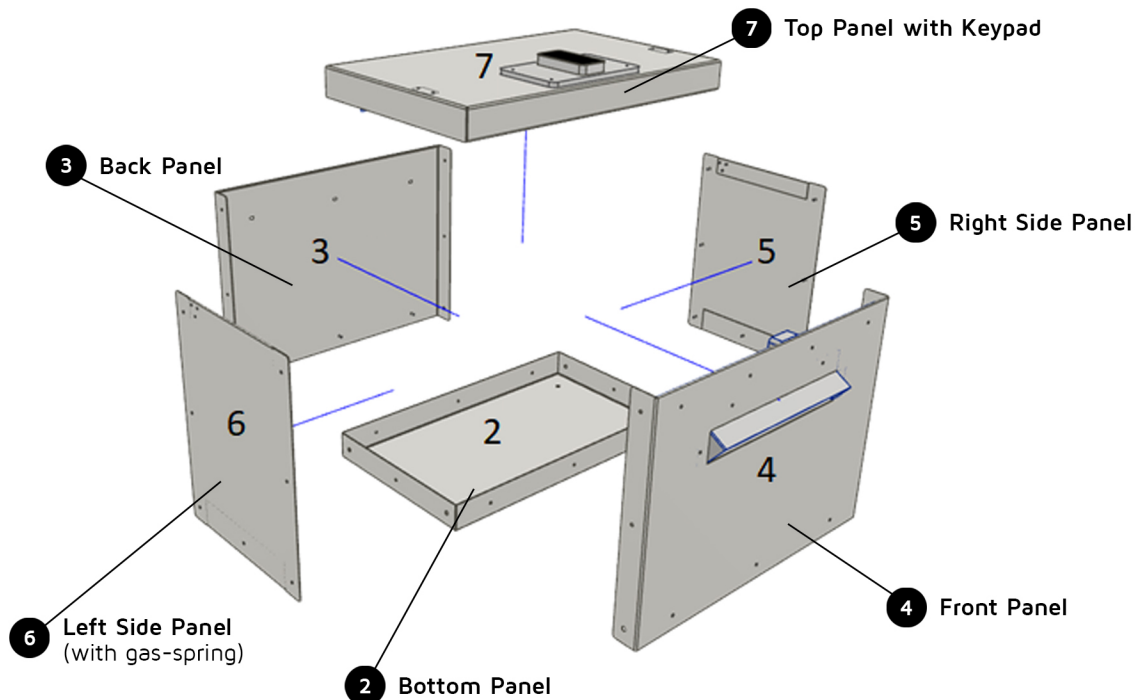


**PLEASE SECURE
 PACKAGES &
 DELIVERIES
 INTO THE
 QR LOCKBOX**

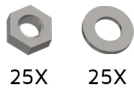
THANK YOU!

DIMENSION: 4" x 6"

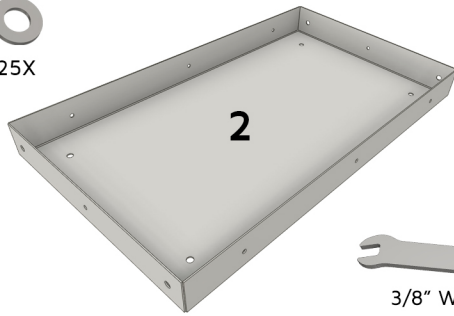
BOX PANELS



QR LOCKBOX ASSEMBLY



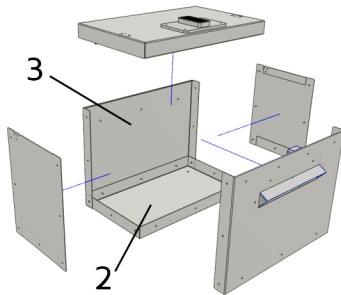
25X 25X



3/8" Wrench

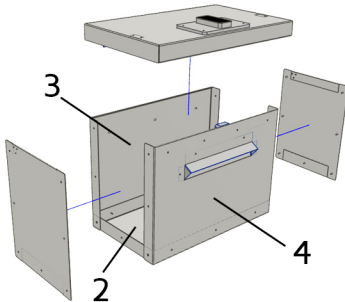
STEP 1

Locate bottom (2) panel and place nuts and washers inside for easy access



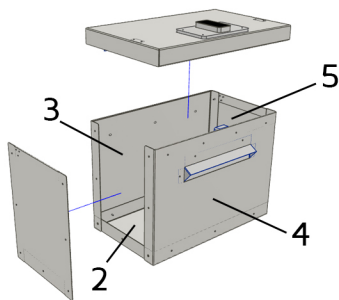
STEP 2

Attach back (3) to bottom (2) and tight nuts.



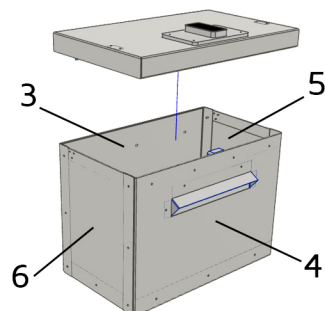
STEP 3

Attach front (4) to bottom (2) and tight nuts.



STEP 4

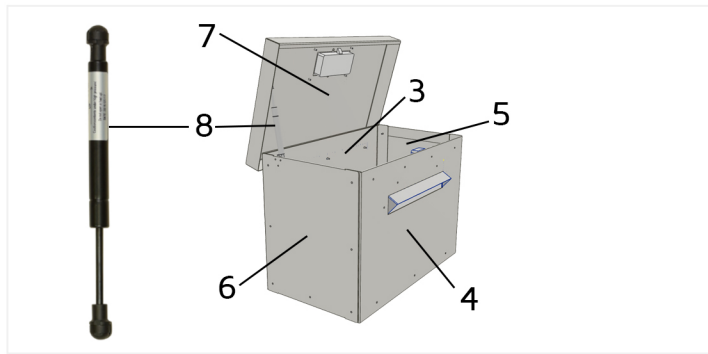
Insert right side and connect (2), (3) and (4) panels and tight nuts.



STEP 5

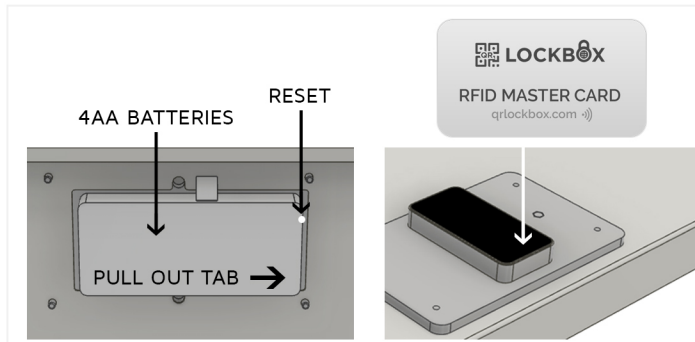
Insert left side and connect (2), (3) and (4) panels and tight with wrench all nuts.

QR LOCKBOX ASSEMBLY



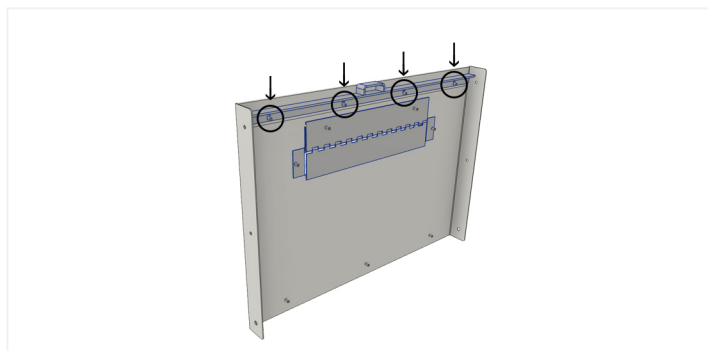
STEP 6

Attach top (7) to back (3) and screw together the gas spring (8) with its hardware.



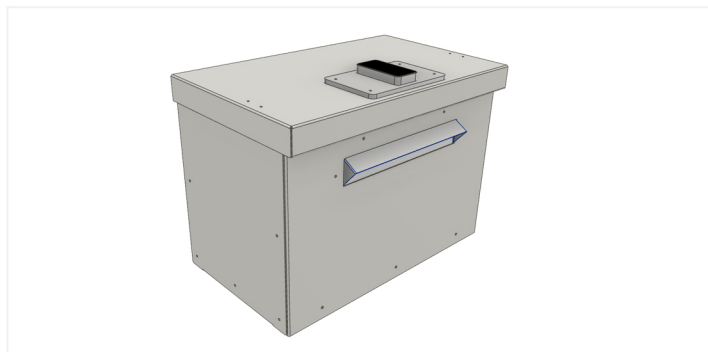
STEP 7

Pull out battery Tab and keypad should beep. Test KEYPAD with your RFID Master Card, wait 5 sec. and the latch will come out. Close lid and test RFID card again.



STEP 8

If the box won't close perfectly, on the front panel the strike bar can be adjusted up or down via loosening the 4 screws.



STEP 9

Last step is to secure the box to the ground using the pre-drilled holes or using our wall bracket mount to the wall.

Use fastening devices suitable for the walls or floor in your home. For advice on suitable fastening devices, contact your local specialized dealer.

QR LOCKBOX KEYPAD PROGRAMMING

STEP 1

IMPORTANT!

The keypad buttons need to be pressed firmly and in a regular phase to register input correctly! Always use the star button to wake up the keypad!

Default Master Code: 12345678

STEP 2

CHANGE MASTER CODE

STAR - 12345678 - KEY - 1 - NEW CODE - KEY - REPEAT NEW CODE - KEY

As a confirmation, the keypad will beep twice and lock.

STEP 3

(Up to 200 codes)

HOW TO ADD USER CODE

STAR - MASTER CODE - KEY - 8 - USER ID (001 - 200) - KEY - NEW CODE - KEY - REPEAT NEW CODE - KEY

As a confirmation, the keypad will beep twice and lock.

STEP 4

DELETING USER CODE

STAR - MASTER CODE - KEY - 4 - USER ID (001 - 200) - KEY - REPEAT USER ID - KEY

As a confirmation, the keypad will beep twice and lock.

STEP 5

DELETING ALL USER CODES

STAR - MASTER CODE - KEY - 0 - KEY

As a confirmation, the keypad will beep twice and lock.

STEP 6

(Up to 200 codes)

HOW TO ADD USER CARD

SWIPE MASTER CARD - AFTER OPEN SWIPE MASTER CARD AGAIN - SWIPE USER CARD (CAN ADD CONTINUOUSLY)

As a confirmation, the keypad will beep twice and lock.

STEP 7

HOW TO RESET LOCK

INSERT A PAPER CLIP INTO THE RESET HOLE AND PRESS THE RESET BUTTON 5 TIMES.

As a confirmation, the keypad will beep three times.

STEP 8

HOW TO REPLACE BATTERIES

REMOVE PHILLIPS SCREW AND INSERT 4 NEW AA BATTERIES.

Keypad will beep as a low-voltage alarm. For colder climates, use lithium batteries.

STEP 9

EMERGENCY OPEN

In case the batteries are dead, use the supplied cable to power the keypad and then enter the code.

QR LOCKBOX ASSEMBLY

STEP 1

IMPORTANT!

Recommended to mount on flat and leveled surface. Always perform the installation with the highest safety standards.



HAMMER DRILL



TAPE MEASURE



HAMMER



FLAT SCREW DRIVER

STEP 2

RECOMMENDED TOOLS

Recommended to mount on flat and leveled surface. Always perform the installation with the highest safety standards.



SAFETY GLOVES



SAFETY GLASSES

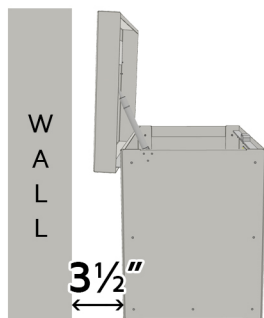


MARKER

STEP 3

SAFETY GEAR

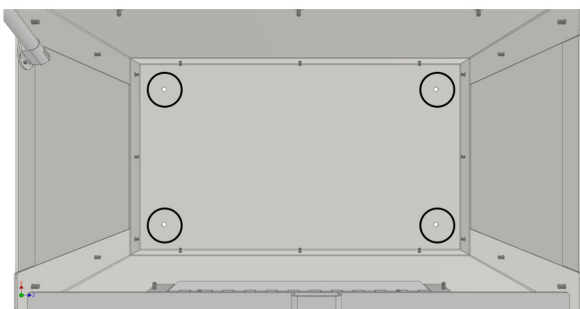
Recommended to mount on flat and leveled surface. Always perform the installation with the highest safety standards.



STEP 4

MARK BOX LOCATION

After selected the most convenient location for the box measure 3 1/2" clearance from the wall. Avoid soft ground areas.



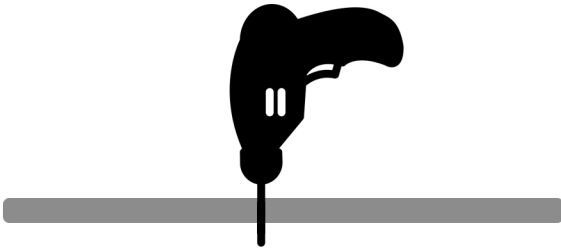
STEP 5

MARK MOUNTING HOLES

Remove plugs (4) from bottom panel and mark holes location on the floor.

QR LOCKBOX ASSEMBLY

STEP 6

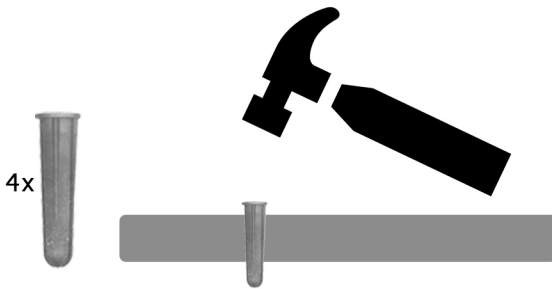


DRILL HOLES

Remove box and drill holes (min 2" deep x 4 with provided drill bits. (Masonry use 5/16" or wood-metal-plastic 3/16" pre-drill).

Clean area and holes with broom or vacuum.

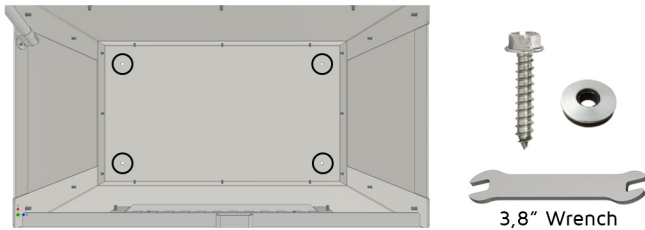
STEP 7



SECURE ANCHORES

For masonry floor use provided ¼" anchors. For other floor types use the bolt directly to secure the box.

STEP 8



SECURE LOCKBOX

Move back box, line up holes and tight down with provided rubber seals (4) and bolts (4) and wrench.

STEP 9

MOUNT BOX DIRECTIONS

Mount your stickers on a lighted and well visible area so the delivery person aware of the QR Lockbox. Make sure the arrow points to the box direction.



